

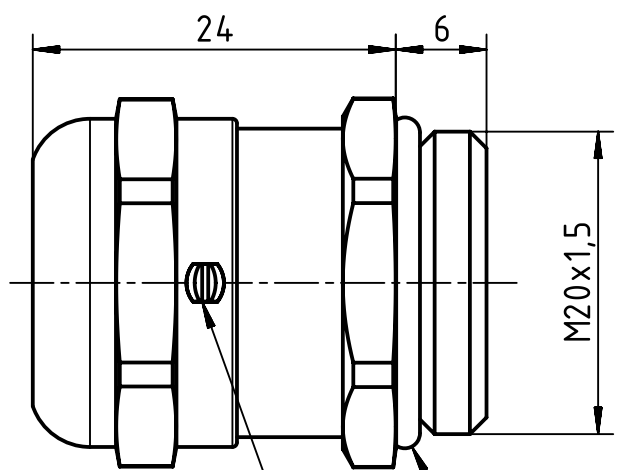
1 2 3 4 5 6

A

B

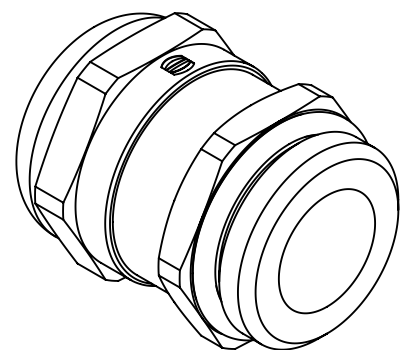
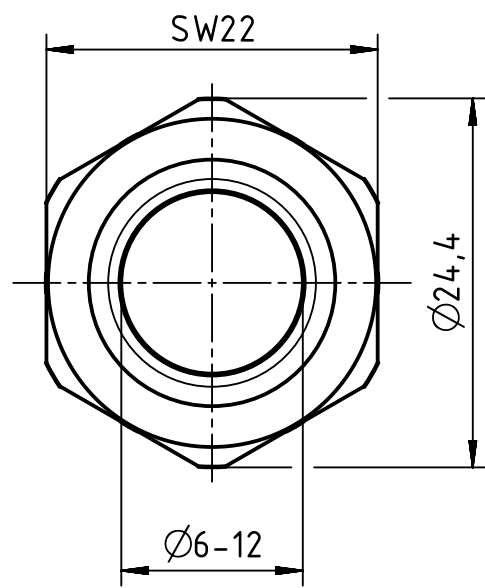
C


D



O-Ring included

Position of the Logo may vary



	All Dimensions in mm Original Size DIN A4		Scale 2:1	Free size tol.		Ref.	
	All rights reserved Department EL PD - DE		Created by LONGL	Inspected by DINGB	Standardisation TIEMANNA	Date 2016-03-04	State Final Release
HARTING Electric GmbH & Co. KG D-32339 Espelkamp		Title Han CGM-M M20x1,5 D.6-12mm				Doc-Key / ECM-Nr. 100191545/UGD/003/B 500000100783	
		Type TB	Number 19 00 000 5082			Rev. B	Page 1/1